

## 9233-0000 Group Mixer

### DATA

Thermostatic & Pressure Balanced Mixing Valve	
Maximum Temperature	90°
Minimum Pressure	0.2 Bar
Maximum Pressure	10 Bar
Pressure Differential	10 Bar
Normal Control Temperature	38°
Max Output	132 l/pm @ 6 Bar

### MATERIALS

Body	DR Brass
Connections in	G3/4
out	1x G3/4 G1/2

### FEATURES

Thermostatic & Pressure Balanced Cartridges constant temp regardless of pressure variations  
 Anti Scald cut off 0.02 seconds  
 Can run up to 4 separate outlets  
 Only unit in the world that can be set and supply 2 separate output temperatures from 1 mixer unit  
 Can be wall mounted horizontally or vertically

### SPEC CODES

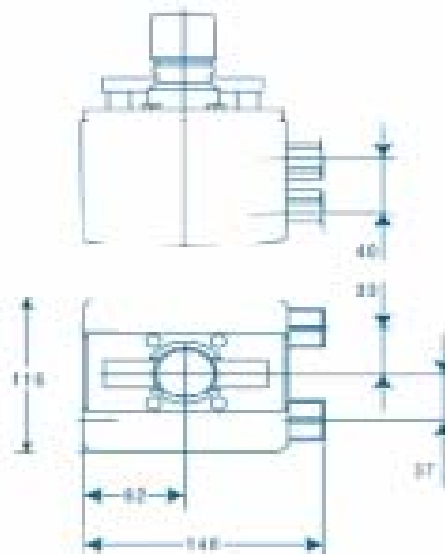
Mixer	9233-0000
Fixing Bracket	3386-0006

### APPROVALS

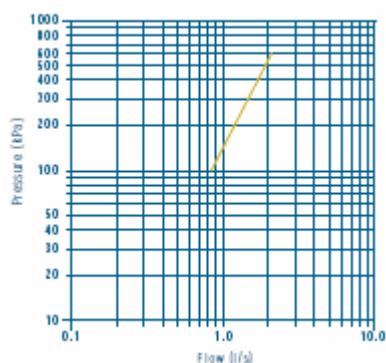
WRAS DO8 TMV3 ISO9001 ISO 14002

### APPLICATION

Hospital, Nursing Homes, Child Care Centres, Multi Point Bathroom Outlets, Disabled Facilities Gymnasiums, Hair Dressing Salons



**FLOW DIAGRAM**



**AL Challis Ltd**

Europower House, Lower road, Cookham, Berkshire, SL6 9EH  
 Tele: 01628 529024 Fax: 0870 4580577  
 E-mail [info@alchallis.com](mailto:info@alchallis.com) Web Site [www.alchallis.com](http://www.alchallis.com)

**FM Mattsson**