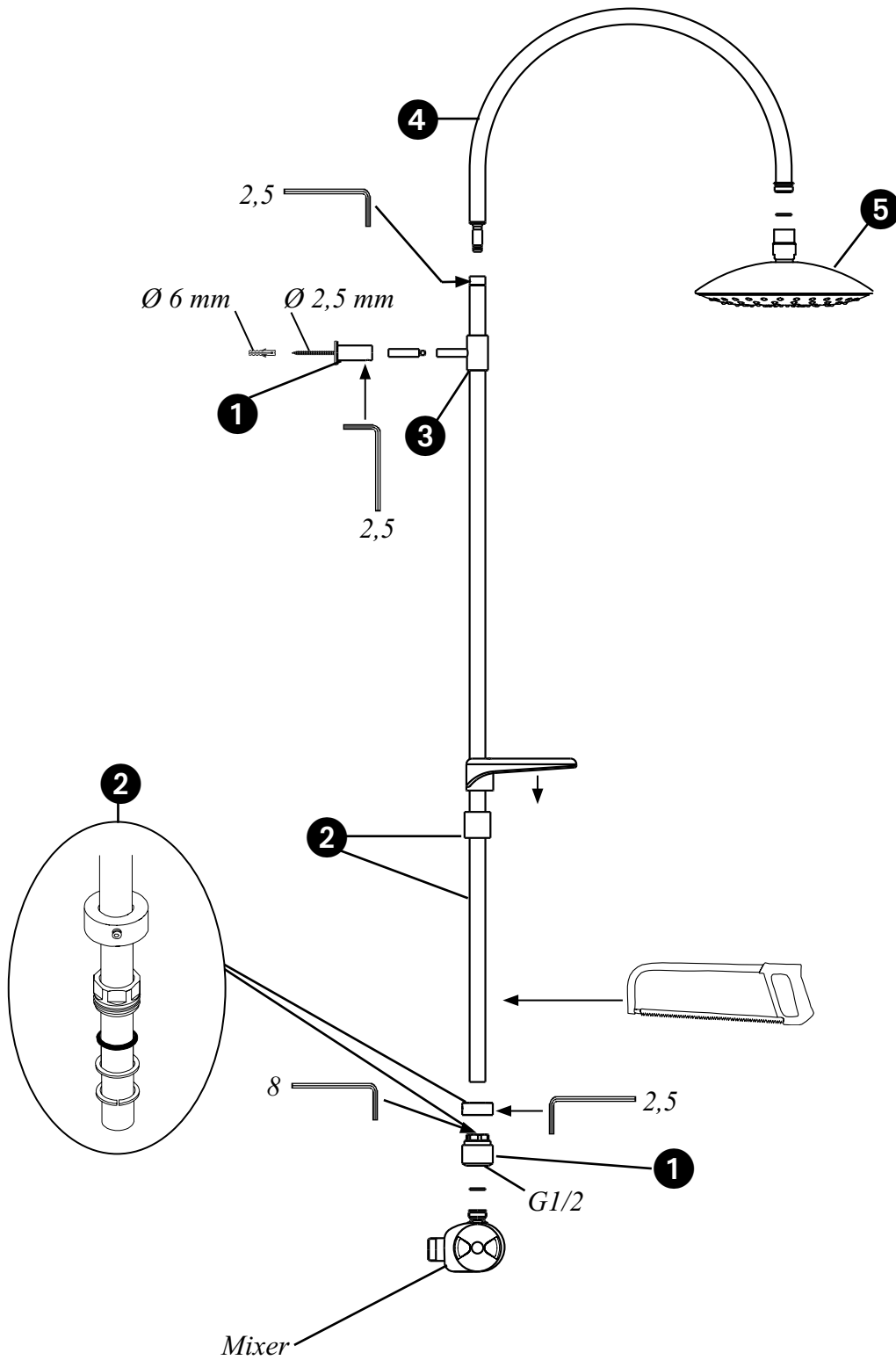


Fixed Shower



Installation See illustrations on page 1

❶ Start by connecting the adapter to the mixer. Seal with the enclosed packing. Use an 8 mm allen key.

Then attach the wall bracket foot to the wall, positioned to the upper part of the wall tube.

Consider any required length adjustment of the tube. If attached to a tiled wall, seal the hole carefully with silicone.

❷ If the straight wall tube needs to be adjusted in length, cut at the lower end where no interlock device is attached.

The tube is mounted into the adapter nipple, but first the following components are pushed on to the tube in named order: The soap-cup bush with the thinner end upwards, the adapter cover-ring and the parts not tightened to the adapter: The compression nipple, the O-ring, the slide ring and the open locking ring. Push the tube down into the adapter.

Tighten the tube with a 24 mm spanner.

Thread on the cover ring and tighten the locking screw with a 2,5 mm allen key.

Push on the soap-cup to the bush.

❸ Thread on the wall bracket to the tube. Attach the pin extender if needed, and fit the pin into the foot. Tighten with a 2,5 mm allen key.

❹ Assemble the upper tube to the wall tube, and lock it with a 2,5 mm allen key.

❺ Attach the shower head. Seal with the enclosed packing. Tighten with a 20 mm spanner.

Use

The shower head is flexible and equipped with a 12 l/min EcoFlow-cartridge. After use some dripping may occur from the shower screen.

FM Mattsson

Box 427, SE-792 27 MORA, Sweden.

Tel +46 (0)250-278 00. Fax +46 (0)250-159 60.

www.fmmattsson.com