



Uniclass L725111	EPIC G611
CI/SIB (74.26)	X

9260 Thermostatic Tap

DATA

Thermostatic & Pressure Balanced Tap
 Maximum Temperature 90°
 Minimum Pressure 0.2 Bar
 Maximum Pressure 12 Bar
 Pressure Differential 10 Bar
 Normal Control Temperature 38°
 Output Temp Differential +/- 1°c
 Max Output 25l/pm @ 6 Bar

MATERIALS

Mixer Body BZR Brass With Chrome Finish
 Handles ABS Plastic
 Connections M26 x 1.5 G1/2

FEATURES

Thermostatic & Pressure Balanced Cartridges constant temp regardless of pressure variations
 Anti Scald cut off 0.02 seconds
 Quick & Easy to fit & maintain
 NRV Fitted to Hot & Cold Inlets
 We recommend the use of isolating ball valves with our units

SPEC CODES

Mixer 160 Centres 9260-0000
 Wall Fixings c/w Isolating valves 2818-1600

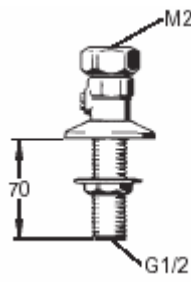
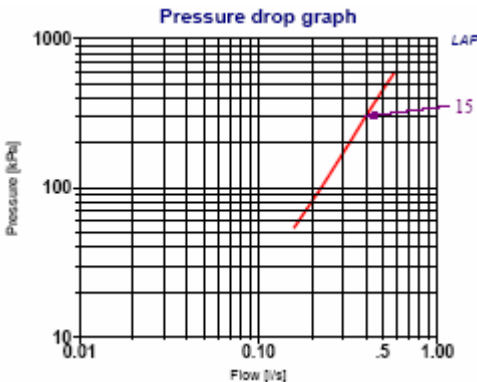
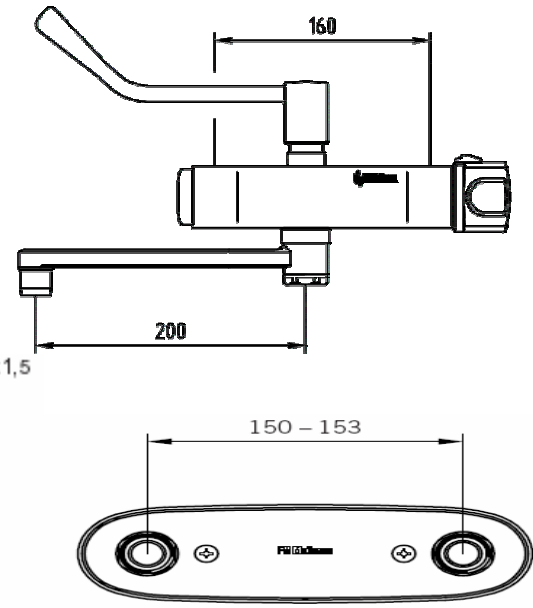
Mixer 150 Centres 9260-7800
 Fixing Bracket 9205-2050

APPROVALS

WRAS D08 TMV3 ISO9001 ISO 14002
 NCAGE No KC1U7

APPLICATION

Hospital care and nursing homes



**5 YEAR
CALCIUM
GUARANTEE**

FM Mattsson

**5 YEAR
TEMPERATURE
GUARANTEE**

FM Mattsson

**5 YEAR
PRESSURE
GUARANTEE**

FM Mattsson

0870 7657987

www.alchallis.com

info@alchallis.com

