



Uniclass L725111	EPIC G611
CI/SfB (74.26)	X

**DATA**

Thermostatic & Pressure Balanced Mixing Valve  
 Concealed supply  
 Maximum Temperature 90°  
 Minimum Pressure 1 Bar  
 Maximum Pressure 12 Bar  
 Pressure Differential 10 Bar  
 Normal Control Temperature 38°  
 Output Temp Differential +/- 1°c  
 Max Output 8 l/pm @ 6 Bar

**MATERIALS**

Mixer Body BZR Brass With Chrome Anthracite Finish  
 Handles ABS Plastic  
 Connections Inlet Valve Body G3/4 F BSP

**FEATURES**

Thermostatic & Pressure Balanced Cartridges constant temp regardless of pressure variations  
 Anti Scald cut off 0.02 seconds  
 Quick & Easy to fit & maintain  
 Can be Wall or Bath Mounted  
 NRV Fitted to Hot & Cold Inlets  
 We recommend the use of isolating ball valves with our units

**SPEC CODES**

Mixer 92007550  
 Wall Fixing Bracket 9205-2050  
 Bath Legs 255S

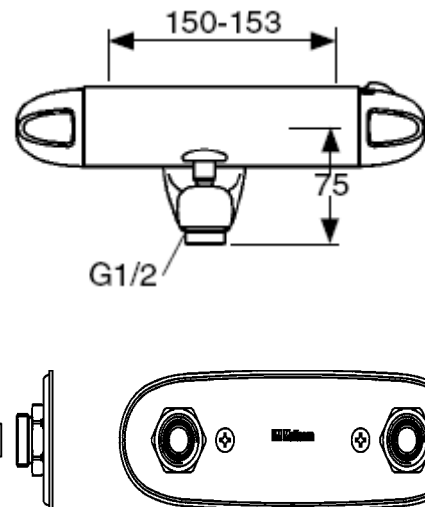
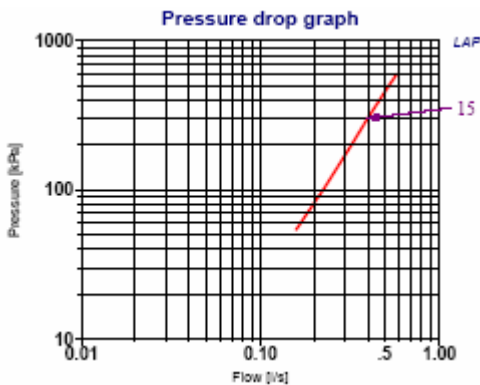
**APPROVALS**

WRAS TMV2 TMV3 ISO9001 ISO 14002

**APPLICATION**

Multi user and multi floor applications. Residential,, hotels, accommodation blocks, halls of residence, barracks,

**9200-7550 Bath Shower Mixer**



**10 YEAR  
CALCIUM  
GUARANTEE**  
 FM Mattsson

**10 YEAR  
TEMPERATURE  
GUARANTEE**  
 FM Mattsson

**10 YEAR  
PRESSURE  
GUARANTEE**  
 FM Mattsson

0870 7657987

www.alchallis.com

info@alchallis.com

