



| | |
|---------------------|--------------|
| Uniclass L725111 | EPIC G611 |
| CI/SB (74.26) | X |

DATA

Monobloc Manual Kitchen Mixer
 Maximum Temperature 90°
 Minimum Pressure 0.2 Bar
 Maximum Pressure 12 Bar
 Normal Control Temperature 38°
 Output Temp Differential +/- 1°c
 Max Output 6 l/pm @ 3 bar

**9100 Mono Kitchen Mixer
Eco Designation**

MATERIALS

Mixer Body BZR Brass With Chrome Finish
 Handles BZR Brass With Chrome Finish

FEATURES

Patented Soft Close mechanism preventing water hammer
 Built in water saving limiter
 Built in temperature limiter (Anti Scald)
 Water Saving Aerator Diffuser
 Quick & Easy to fit & maintain



SPEC CODES

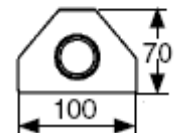
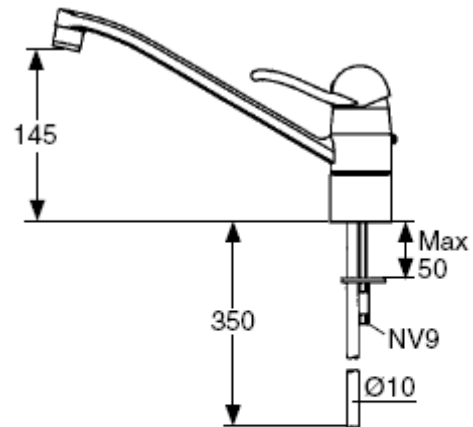
Kitchen Basin Mixer (Chrome Anthracite) 9100-0050
 Water Saving Aerator 005/06

APPROVALS

WRAS ISO9001 ISO 14002 ISO14025

APPLICATION

Hospital, hotels, accommodation blocks, halls of residence, barracks, gymnasiums, residential, Housing Associations



WRAS
APPROVED
PRODUCT



**10 YEAR
CALCIUM
GUARANTEE**
FM Mattsson

**10 YEAR
PRESSURE
GUARANTEE**
FM Mattsson

0870 7657987

www.alchallis.com

@ info@alchallis.com