



Uniclass L725111	EPIC G611
CI/SB (74.26)	X

DATA

Monobloc Manual Kitchen Mixer
 Maximum Temperature 90°
 Minimum Pressure 0.2 Bar
 Maximum Pressure 12 Bar
 Normal Control Temperature 38°
 With Water Saving Aerator 6 or 9 l/pm @ 3 bar

MATERIALS

Mixer Body BZR Brass With Chrome Finish
 Handles BZR Brass With Chrome Finish

FEATURES

Patented Soft Close mechanism preventing water hammer
 Built in water saving limiter
 Built in temperature limiter (Anti Scald)
 Soft Flow or water saving Aerator Diffuser
 Quick & Easy to fit & maintain

SPEC CODES

Kitchen Basin Mixer 9110-0000Eco

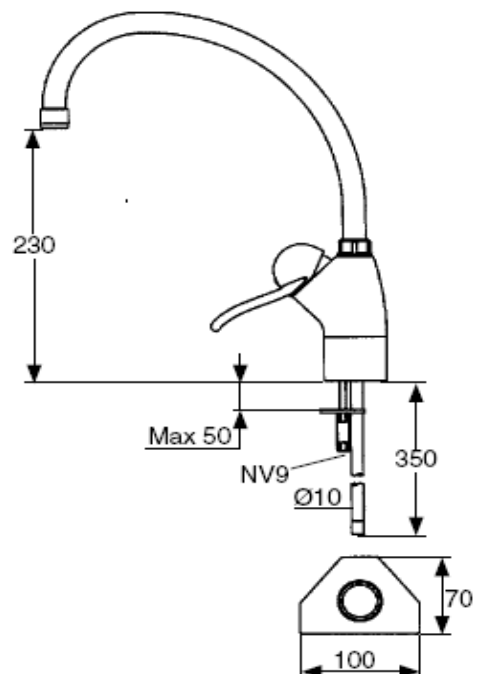
APPROVALS

WRAS ISO9001 ISO 14002 ISO14025

APPLICATION

Hospital, hotels, accommodation blocks, halls of residence, barracks, gymnasiums, residential, Housing Associations

**9110 Mono Kitchen Mixer
Eco- Designation**



0870 7657987

www.alchallis.com

@ info@alchallis.com