



Uniclass L725111	EPIC G611
CI/SB (74.26)	X

9150 Mono Kitchen Mixer

DATA

Monobloc Manual Kitchen Mixer
 Maximum Temperature 90°
 Minimum Pressure 0.2 Bar
 Maximum Pressure 12 Bar
 Normal Control Temperature 38°
 Output Temp Differential +/- 1°c
 Max Output 20 l/pm @ 3 Bar
 With Water Saving Aerator 6 l/pm @ 3 bar

MATERIALS

Mixer Body BZR Brass With Chrome Finish
 Handles BZR Brass With Chrome Finish

FEATURES

Patented Soft Close mechanism preventing water hammer
 Built in water saving limiter
 Built in temperature limiter (Anti Scald)
 Soft Flow or water saving Aerator Diffuser
 Quick & Easy to fit & maintain

SPEC CODES

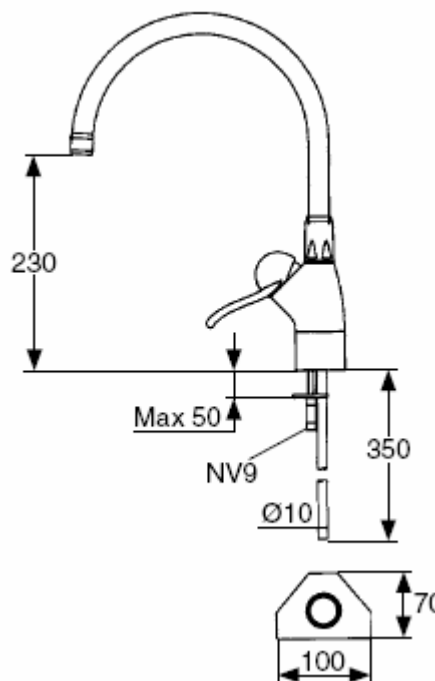
Kitchen Basin Mixer (Chrome Anthracite) 9150-0000

APPROVALS

WRAS ISO9001 ISO 14002 ISO14025

APPLICATION

Hospital, hotels, accommodation blocks, halls of residence, barracks, gymnasiums, residential, Housing Associations



WRAS

APPROVED PRODUCT



**10 YEAR
CALCIUM
GUARANTEE**
FM Mattsson

**10 YEAR
PRESSURE
GUARANTEE**
FM Mattsson

0870 7657987

www.alchallis.com

info@alchallis.com