



Uniclass L725111	EPIC G611
CI/SB (74.26)	X

**DATA**

Monobloc Manual Kitchen Mixer  
 Maximum Temperature 90°  
 Minimum Pressure 0.2 Bar  
 Maximum Pressure 12 Bar  
 Normal Control Temperature 38°  
 Output Temp Differential +/- 1°c  
 Max Output 20 l/pm @ 6 Bar

**MATERIALS**

Mixer Body BZR Brass With Chrome Finish  
 Handles BZR Brass With Chrome Finish

**FEATURES**

Patented Soft Close mechanism preventing water hammer  
 Built in water saving limiter  
 Built in temperature limiter (Anti Scald)  
 Soft Flow Diffuser  
 Quick & Easy to fit & maintain

**SPEC CODES**

Kitchen Basin Mixer (Chrome) 9600-0000  
 Kitchen Basin Mixer (Chrome) c/w Diverter 9601-0000

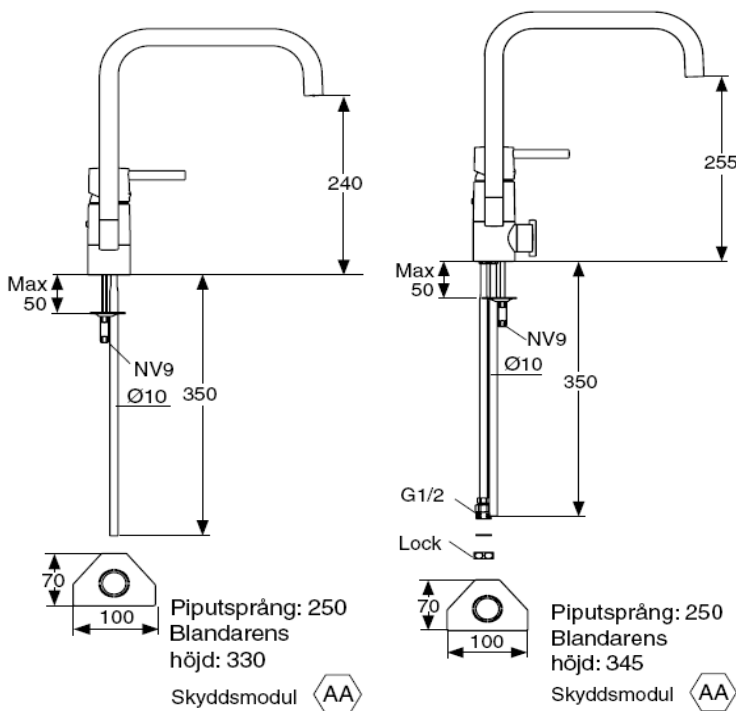
**APPROVALS**

ISO9001 ISO 14002 ISO14025

**APPLICATION**

Residential hospital, hotels, accommodation blocks, halls of residence, barracks,

**Garda 9600 Kitchen Tap**



0870 7657987

www.alchallis.com

@ info@alchallis.com