



Uniclass L725111	EPIC G611
CUSIB (74.26)	X

DATA

Thermostatic & Pressure Balanced Mixing Valve
 Concealed supply c/w Anti Tamper Head
 Maximum Temperature 90°
 Minimum Pressure 0.5 Bar
 Maximum Pressure 12 Bar
 Pressure Differential 10 Bar
 Temperature Differential 0°
 Normal Control Temperature 38°
 Output Temp Differential +/- 1°c
 Max Output 8 l/pm @ 3 Bar

MATERIALS

Mixer Body BZR Brass With Chrome Finish
 Handles ABS Plastic
 Anti Vandal Showerhead BZR Brass & ABS Plastic
 Connections Inlet Valve Body G3/4 F BSP

FEATURES

Thermostatic & Pressure Balanced Cartridges constant temp regardless of pressure variations
 Anti Scald cut off 0.02 seconds
 Water Saving Anti Tamper Showerhead Push Fit Connections
 Quick & Easy to fit & maintain
 NRV Fitted to Hot & Cold Inlets
 We recommend the use of isolating ball valves with our units

SPEC CODES

Mixer 9211-7500 TMV2 9211-7700 TMV3 9211-7800
 Fixing Bracket 9205-2050
 Anti Vandal Showerhead 255

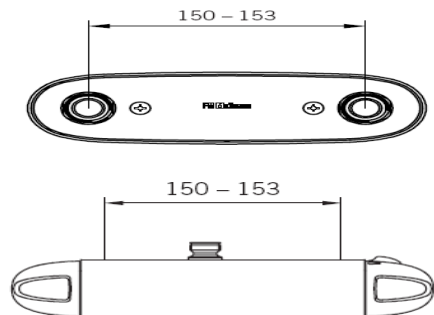
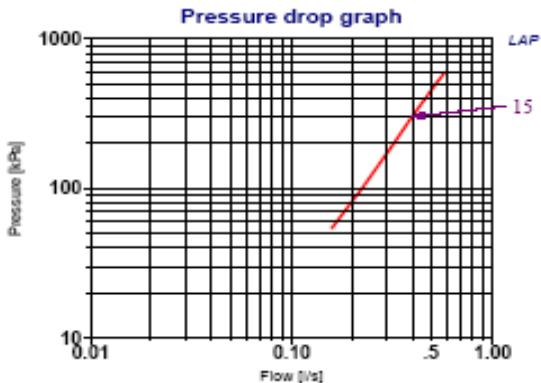
APPROVALS

WRAS D08 TMV3 TMV2 (9211-7700) ISO9001 ISO 14002
 NCAGE No KC1U7

APPLICATION

Multi user and multi floor applications. Hospital, hotels, accommodation blocks, halls of residence, barracks, gymnasiums

03 255 Kit



01628 529024

www.alchallis.com

@ info@alchallis.com





Uniclass L725111	EPIC G611
C/S/B (74.26)	X

DATA

Thermostatic & Pressure Balanced Mixing Valve
 Concealed supply c/w Anti Tamper Head
 Maximum Temperature 90°
 Minimum Pressure 0.5 Bar
 Maximum Pressure 12 Bar
 Pressure Differential 10 Bar
 Temperature Differential 0°
 Normal Control Temperature 38°
 Output Temp Differential +/- 1°c
 Max Output 8 l/pm @ 3 Bar

03 291 Kit

MATERIALS

Mixer Body BZR Brass With Chrome Finish
 Handles ABS Plastic
 Luxury Showerhead ABS Plastic
 Connections Inlet Valve Body G3/4 F BSP

FEATURES

Thermostatic & Pressure Balanced Cartridges constant temp regardless of pressure variations
 Anti Scald cut off 0.02 seconds
 Water Saving Anti Tamper Showerhead Push Fit Connections
 Quick & Easy to fit & maintain
 NRV Fitted to Hot & Cold Inlets
 We recommend the use of isolating ball valves with our units

SPEC CODES

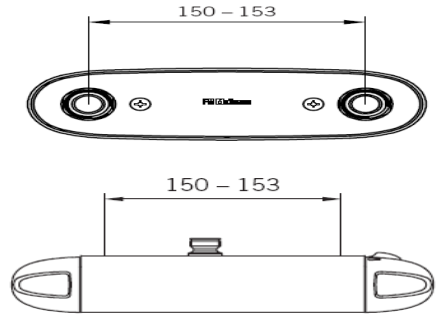
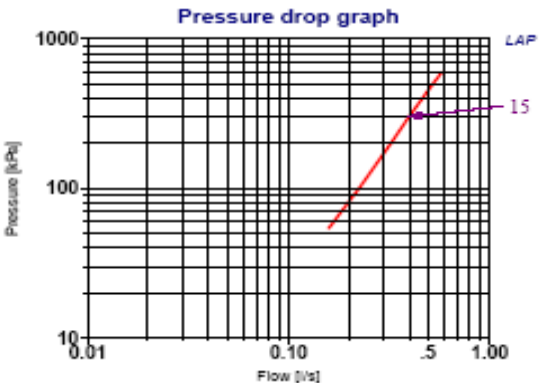
Mixer 9211-7500 TMV2 9211-7700 TMV3 9211-7800
 Fixing Bracket 9205-2050
 Luxury Showerhead 291

APPROVALS

WRAS D08 TMV3 TMV2 (9211-7700) ISO9001 ISO 14002
 NCAGE No KC1U7

APPLICATION

Multi user and multi floor applications. Hospital, hotels, accommodation blocks, halls of residence, barracks, gymnasiums



01628 529024

www.alchallis.com

@ info@alchallis.com

