



Uniclass L725111	EPIC G611
CI/SFB (74.26)	X

DATA

Thermostatic & Pressure Balanced Mixing Valve
 Concealed supply with Riser Kit
 Maximum Temperature 90°
 Minimum Pressure 0.2 Bar
 Maximum Pressure 12 Bar
 Pressure Differential 10 Bar
 Normal Control Temperature 38°
 Output Temp Differential +/- 1°c
 Max Output 8 l/pm @ 3 Bar

MATERIALS

Mixer Body BZR Brass With Chrome Finish
 Handles ABS Plastic
 Connections Inlet Valve Body G3/4 F BSP

FEATURES

Thermostatic & Pressure Balanced Cartridges constant temp regardless of pressure variations
 Anti Scald cut off 0.02 seconds
 Water Saving Showerhead or Single Function
 Quick & Easy to fit & maintain
 NRV Fitted to Hot & Cold Inlets
 We recommend the use of isolating ball valves with our units

SPEC CODES

Mixer 9215-0000
 Fixing Bracket 9205-2050
 NCAGE No KC1U7

APPROVALS

WRAS DO8 TMV3 ISO9001 ISO 14002

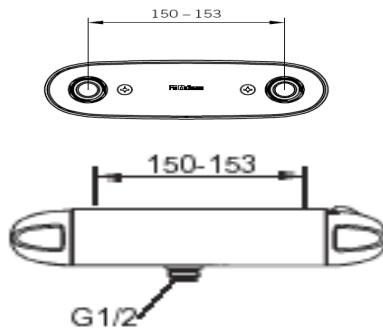
APPLICATION

Multi user and multi floor applications. Hospital, hotels, accommodation blocks, halls of residence, barracks, gymnasiums.

BREEAM O4 Shower Kit



AUTHORISED USER NO. 00146



10 YEAR PRESSURE GUARANTEE
 FM Mattsson

10 YEAR CALCIUM GUARANTEE
 FM Mattsson

10 YEAR TEMPERATURE GUARANTEE
 FM Mattsson

☎ 01628 529024

🌐 www.alchallis.com

@ info@alchallis.com

