



Uniclass L725111	EPIC G611
CI/SB (74.26)	X

**DATA**

Monobloc Manual Kitchen Mixer  
 Maximum Temperature 90°  
 Minimum Pressure 0.2 Bar  
 Maximum Pressure 12 Bar  
 Normal Control Temperature 38°  
 Output Temp Differential +/- 1°c  
 Max Output Low Flow 6 l/pm @ 3 bar  
 High Flow 9 l/pm

**BREEAM 9100 Mono Kitchen Mixer Eco Designation**

**MATERIALS**

Mixer Body BZR Brass With Chrome Finish  
 Handles BZR Brass With Chrome Finish

**FEATURES**

Dual high or low flow capability with handle click  
 Patented Soft Close mechanism preventing water hammer  
 Built in water saving limiter  
 Built in temperature limiter (Anti Scald)  
 Quick & Easy to fit & maintain



**SPEC CODES**

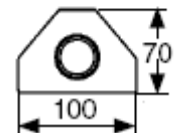
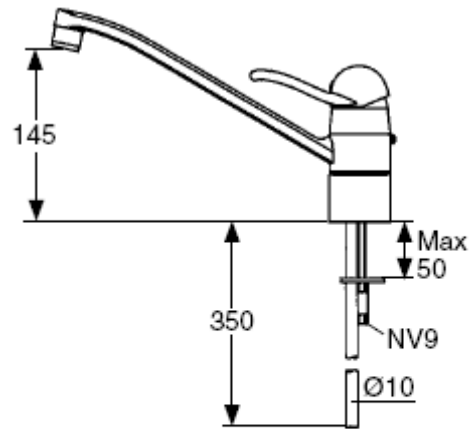
Kitchen Basin Mixer (Chrome Anthracite) 9100-6000

**APPROVALS**

WRAS ISO9001 ISO 14002 ISO14025

**APPLICATION**

Hospital, hotels, accommodation blocks, halls of residence, barracks, gymnasiums, residential, Housing Associations



**WRAS APPROVED PRODUCT**



01628 529024

www.alchallis.com

@ info@alchallis.com