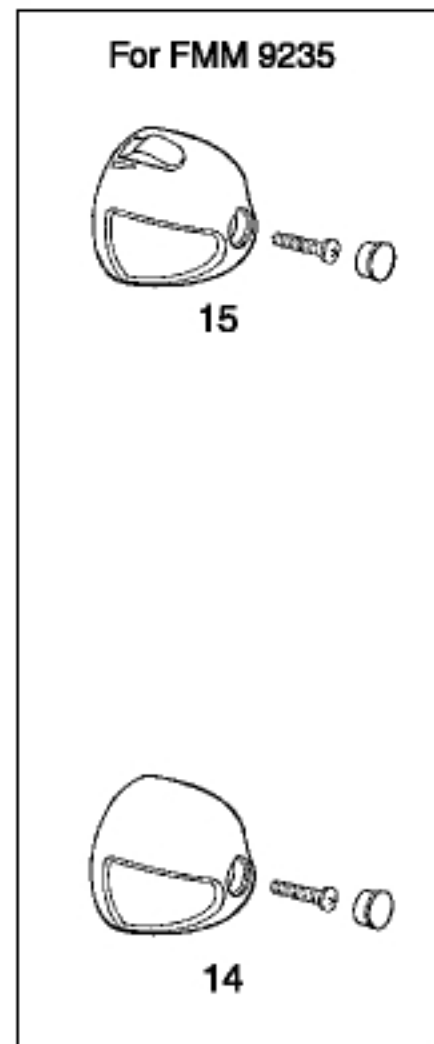
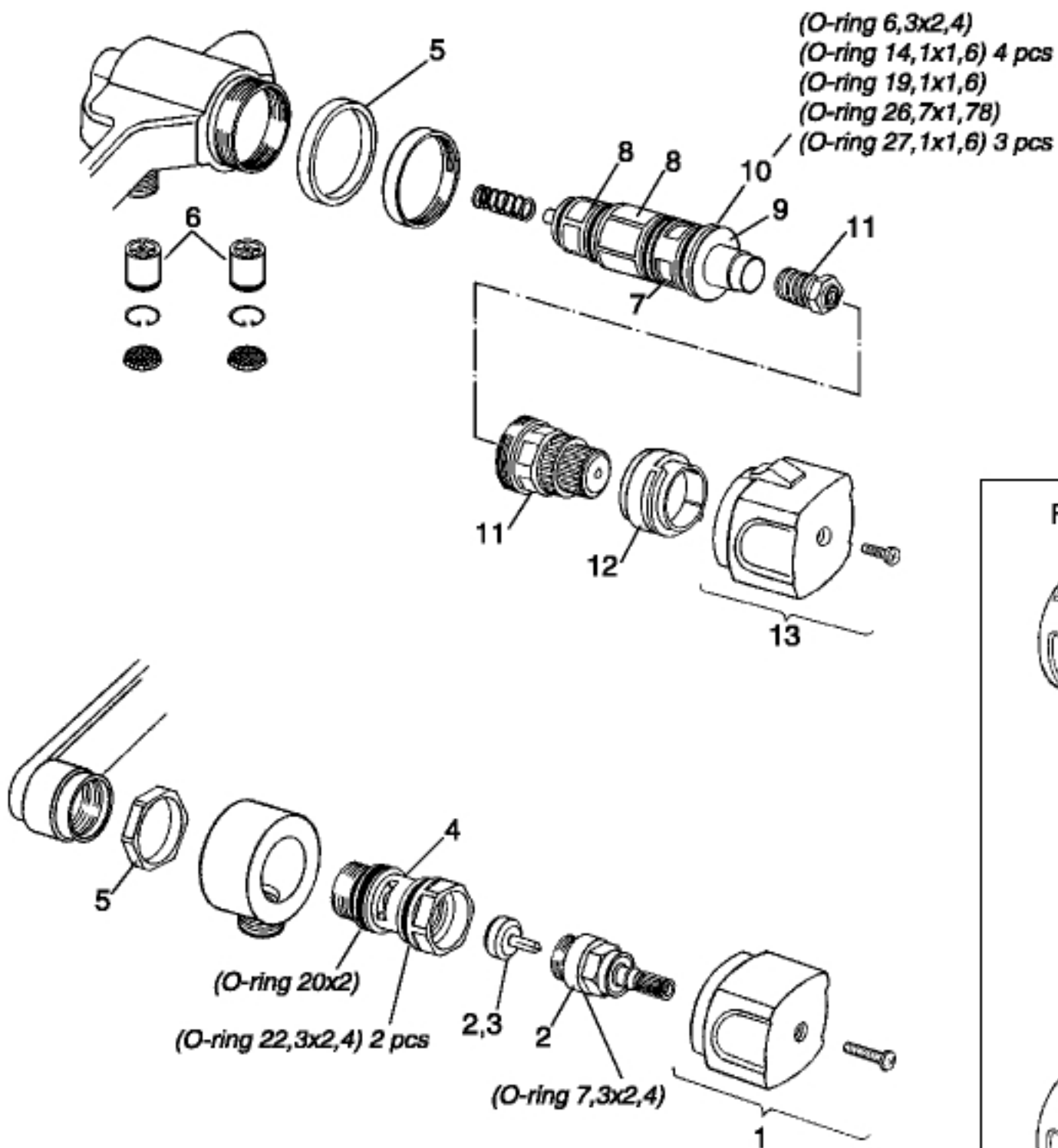


**FMM 5185 & 9235 Mixer for shower cubicle .**



No.	Description	FMM No.	EAN code	Pack
1	On/Off handle, chrome	3581-0009	7319043581159	5
	On/off handle, white	3581-0120	7319043581258	
2	On/Off headwork with valve cone	3520-1400	7319043520059	
3	Valve cone (10 pcs)	3600-1549	7319043600034	10
4	Headwork w. o-rings	3858-1501	7319043858015	
5	Spacer rings	3728-2000	7319043728028	
6	Non-return valves (Pair)	2983-1529	7319042983084	
7	Regulating cartridge	3860-1009	7319043860018	10
8	Filter kit f. regulating cartridge	3868-0009	7319043868069	
9	Sensor unit w. O-ring	3732-0009	7319043732056	
10	O-ring kit (10 pcs) f. regulating cartridge	3783-0900	7319043783027	
11	Headwork w. spindle screw	3866-0005	7319043866027	
12	Stop ring, black	3852-0007	7319043852013	
13	Temperature handle, chrome	3582-0009	7319043582231	5
	Temperature handle, white	3582-0120	7319043582347	
14	On/Off handle, chrome, for FMM 9235	3593-0009	7319043593053	5
	On/Off handle, anthracite, for FMM 9235	3593-0059	7319043593046	5
15	Temperature handle, chrome, for FMM 9235	3594-0009	7319043594043	5
	Temperature handle, anthracite, for FMM 9235	3594-0059	7319043594050	5