



Uniclass L725111	EPIC G611
CUSIB (74.26)	X

**DATA**

Thermostatic & Pressure Balanced Mixing Valve  
 Concealed supply c/w top exit  
 Maximum Temperature 90°  
 Minimum Pressure 0.2 Bar  
 Maximum Pressure 12 Bar  
 Pressure Differential 10 Bar  
 Normal Control Temperature 38°  
 Output Temp Differential +/- 1°c  
 Max Output 8 l/pm @ 6 Bar

**MATERIALS**

Mixer Body BZR Brass With Chrome Finish  
 Handles ABS Plastic  
 Connections Inlet Valve Body G3/4 F BSP

**FEATURES**

Thermostatic & Pressure Balanced Cartridges constant temp regardless of pressure variations  
 Anti Scald cut off 0.02 seconds  
 Quick & Easy to fit & maintain  
 NRV Fitted to Hot & Cold Inlets  
 We recommend the use of isolating ball valves with our units

**SPEC CODES**

Mixer 8211-1500

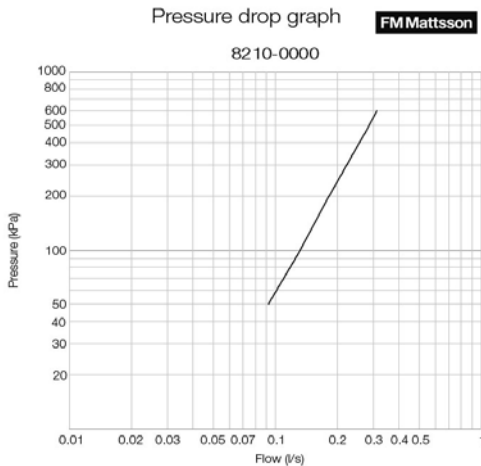
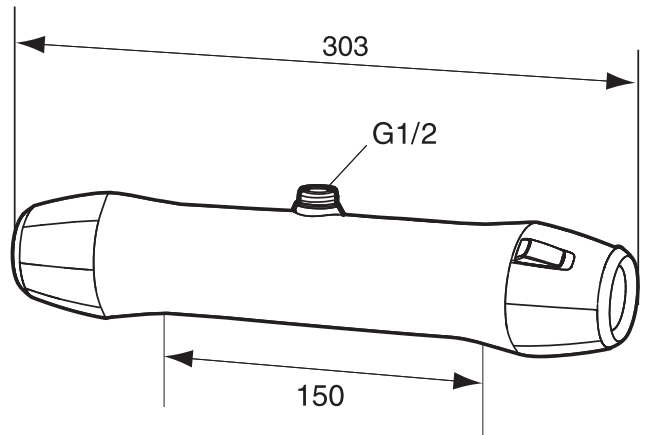
**APPROVALS**

WRAS ISO9001 ISO 14002  
 NCAGE No KC1U7

**APPLICATION**

Multi user and multi floor applications. Hospital, hotels, accommodation blocks, halls of residence, barracks, gymnasiums

**8211-1500**



**10 YEAR  
 CALCIUM  
 GUARANTEE**  
**FM Mattsson**

**10 YEAR  
 PRESSURE  
 GUARANTEE**  
**FM Mattsson**

**10 YEAR  
 TEMPERATURE  
 GUARANTEE**  
**FM Mattsson**

01628 529024

[www.alchallis.com](http://www.alchallis.com)

@ [info@alchallis.com](mailto:info@alchallis.com)

