



Uniclass L725111	EPIC G611
CI/SFB (74.26)	X

FMM 9480-1530

DATA

Thermostatic & Pressure Balanced Mixing Valve
 Concealed supply
 Maximum Temperature 90°
 Minimum Pressure 0.2 Bar
 Maximum Pressure 12 Bar
 Pressure Differential 10 Bar
 Normal Control Temperature 38°
 Output Temp Differential +/- 1°c
 Max Output 8 l/pm @ 6 Bar

MATERIALS

Mixer Body BZR Brass With Chrome Finish
 Handles ABS Plastic
 Connections Inlet Valve Body G3/4 F BSP

FEATURES

Thermostatic & Pressure Balanced Cartridges constant temp regardless of pressure variations
 Anti Scald cut off 0.02 seconds
 Quick & Easy to fit & maintain
 NRV Fitted to Hot & Cold Inlets
 We recommend the use of isolating ball valves with our units

SPEC CODES

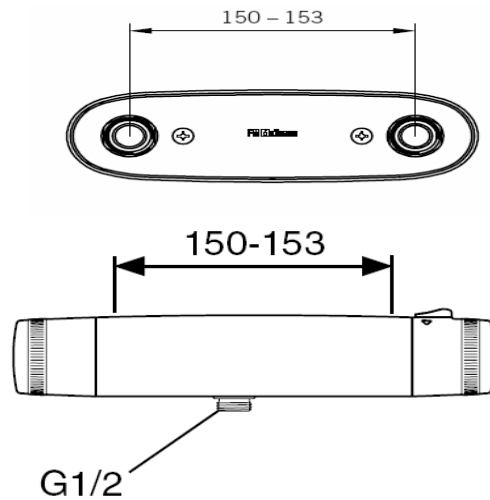
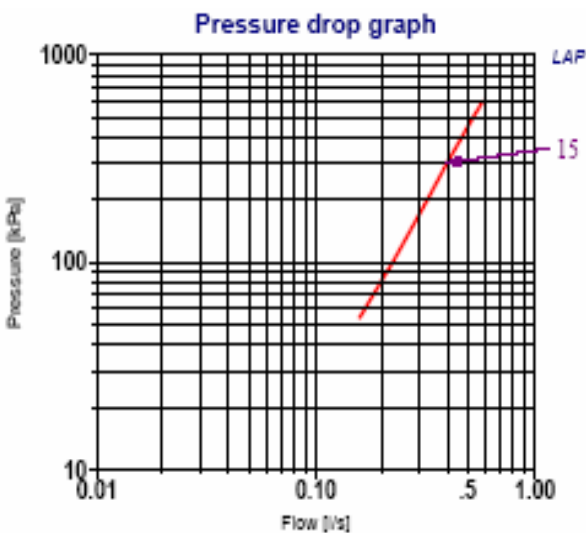
Mixer 9480-1530
 Fixing Bracket 9205-2050
 NCAGE No KC1U7

APPROVALS

WRAS ISO9001 ISO 14002

APPLICATION

Multi user and multi floor applications. Hospital, hotels, accommodation blocks, halls of residence, barracks, gymnasiums, residential



0870 7657987

www.alchallis.com

info@alchallis.com

10 YEAR CALCIUM GUARANTEE	10 YEAR TEMPERATURE GUARANTEE	10 YEAR PRESSURE GUARANTEE
FM Mattsson	FM Mattsson	FM Mattsson

SS-EN ISO 14001	SS-EN ISO 9001		

WRAS

APPROVED
PRODUCT