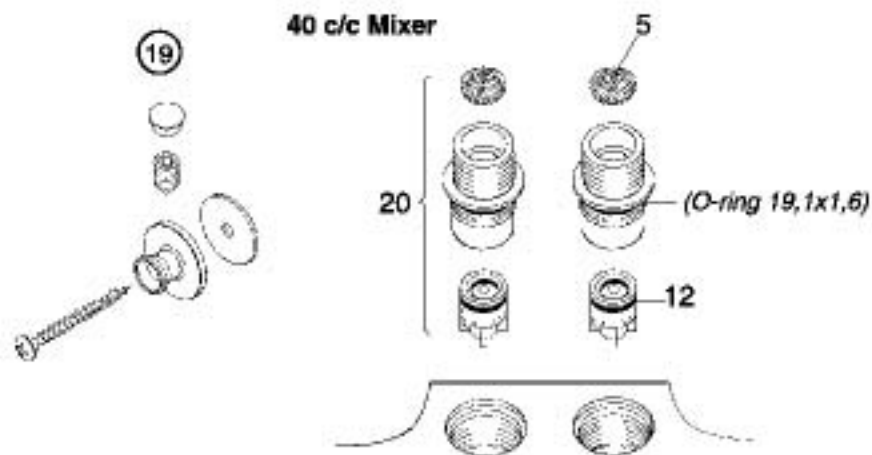


* The mixer cannot be rebuilt between 150-153 c/c and 160 c/c by switching the connectors.



No.	Description	FMM No.	EAN code	Pack
1	On/Off handle, chrome	3546-0000	7319043546011	
2	On/Off headwork with valve cone	3520-1400	7319043520059	
3	Valve cone (10 pcs)	3600-1549	7319043600034	10
4	Regulating cartridge	3860-1009	7319043860018	10
5	Filter kit f. regulating cartridge	3868-0009	7319043868069	
6	Sensor unit w. O-ring	3732-0009	7319043732056	
7	O-ring kit (10 pcs) f. regulating cartridge	3783-0900	7319043783027	
8	Headwork incl. spindle screw	3866-0005	7319043866027	
9	Stop ring, black	3852-0007	7319043852013	
10	Temperature handle, chrome	3547-0000	7319043547018	
11	Inlet connector 150-153 c/c (left-hand thread)	5981-0000	7319045981018	
	Inlet connector 160 c/c	5980-0000	7319045980011	
12	Non-return valves (Pair)	2983-0529	7319042983169	
13	Nipple M22x1 - G1/2 (shower mixer)	3971-0000	7319043971042	
14	Nipple f. spout	3975-3000	7319043975132	
15	Spout w. rotary diverter, chrome	9499-0000	7319049499014	
16	Locking screw	3873-0006	7319043873018	
17	O-ring kit f. spout and nipple (7 pcs)	5953-0900	7319045953015	
18	Aerator M28x1 chrome	2903-0000	7319042903310	
19	Wall bracket, complete, chrome, f. 40 c/c mixers	2971-2000	7319042971098	
20	Inlet connector f. 40 c/c mixer	5982-0000	7319045982015	