



Uniclass L725111	EPIC G611
CI/SB (74.26)	X

DATA

Mono-bloc Manual Basin Mixer
 Maximum Temperature 90°
 Minimum Pressure 0.2 Bar
 Maximum Pressure 12 Bar
 Normal Control Temperature 38°
 Output Temp Differential +/- 1°c
 Max Output 6 l/pm @ 3 Bar

MATERIALS

Mixer Body BZR Brass With Chrome Finish
 Handles BZR Brass With Chrome Finish

FEATURES

Patented Soft Close mechanism preventing water hammer
 Built in baffle to reduce tap hissing
 Built in water saving limiter
 Built in temperature limiter (Anti Scald)
 Soft Flow Diffuser
 Quick & Easy to fit & maintain

SPEC CODES

Mono Basin Mixer (Chrome) 9050-0000
 Mono Basin Mixer (Chrome) c/w pop up waste 9055-0000
 Mono Basin Mixer (Chrome Anthrecite) 9050-0050
 Mono Basin Mixer (Chrome Anth) c/w pop up waste 9055-0050
 Mono Basin Mixer (Chrome Gold) 9050-0005
 Mono Basin Mixer (Chrome gold)c/w pop up waste 9055-0005

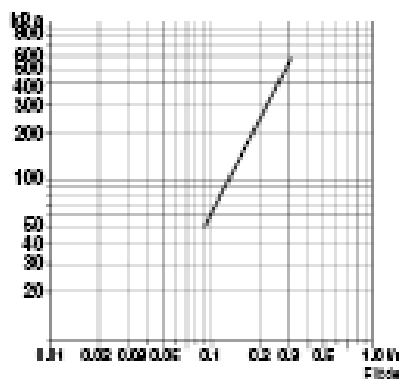
APPROVALS

WRAS ISO9001 ISO 14002 ISO14025 WTL Approved

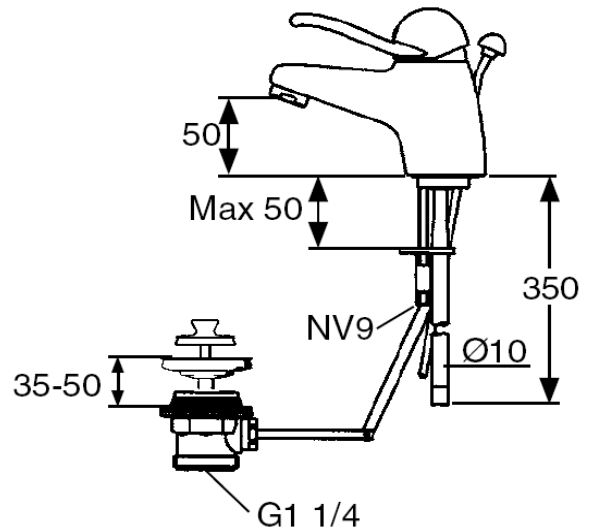
APPLICATION

Residential hospital, hotels, accommodation blocks, halls of residence, barracks, gymnasiums, Residential

9055 Mono Basin Mixer



Eitrgrepps tvättställsblandare FM 9050 och 9055



**10 YEAR
CALCIUM
GUARANTEE**
FM Mattsson

**10 YEAR
PRESSURE
GUARANTEE**
FM Mattsson

0870 7657987

www.alchallis.com

@ info@alchallis.com