

SHOWER ARMS 140



140 F



DATA

Maximum Temperature	80°C
Minimum Pressure	1.0 bar
Maximum Pressure	12.0 bar
Connections	Inlet ½" BSP Female Outlet ½" BSP Male Or Inlet ½" BSP Male Outlet ½" BSP Male

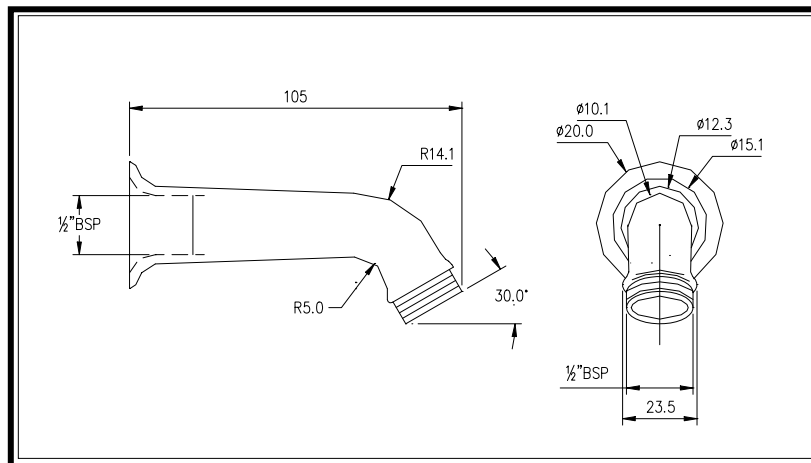
MATERIALS

Body Brass with Chrome Plate Finish

APPLICATION

Elless LSP-140 shower arm conform to the highest standards and are designed for use in applications where the supply pipe work is concealed.

140M



AL Challis Ltd

FM Mattsson

Europower House, Lower road, Cookham, Berkshire, SL6 9EH

Tele: 01628 529024 Fax: 0870 4580577

E-mail info@alchallis.com Web Site www.alchallis.com

