



Uniclass L725111	EPIC G611
CI/SfB (74.26)	X

Pre-assembled shower panel made of anodised aluminium, with vandal proof Shower head incorporating a scale proof nozzle and integrated 30sec. nominal delay valve. Spray angle is free to be adjusted but can be locked by the installer. Top entry supplied from a pre-blended water. Group Mixers available

## 9971-4700 Shower Panel



### ADVANTAGES

**Water Saving:** Potential of 50% saving  
**Cost Saving:** Six shower panels can be comfortably supplied by one mixing valve reducing initial cost. Not to mention the longer term savings from reduced water and energy.  
**Vandal Resistant:** Design prevents tearing from the wall. Concealed fixings prevent unauthorised access and pipe work is concealed  
**Durable:** Superior endurance  
**Comfort and Safety:** Smooth opening, adjustable nozzle, temperature regulated through a Group Mixing Valve – Supplied separately.  
**Reduced Service:** Nozzle jet reduces scale due to its scarifying action. Optional Traditional jet  
**Aesthetics:** Stylish modern design  
**Guarantee:** 10 Years  
**USES:** Health & Fitness, Public Sports Centres, Swimming Pools, Schools & Colleges, Halls of Residence, Club Houses and Domestic Shower rooms.

### TECH SPEC

Min working pressure of 0.8bar  
  
 Flow rate of 8L/min at 3bar  
  
 To be used in conjunction with a Thermostatic Mixing Valve  
  
 Supplied with non-return valves & filter  
  
 Height: 1020mm  
 Width: 70mm

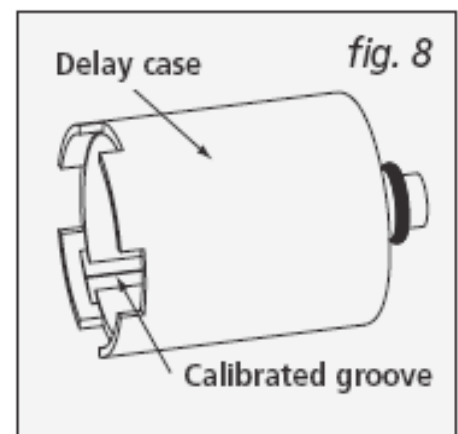
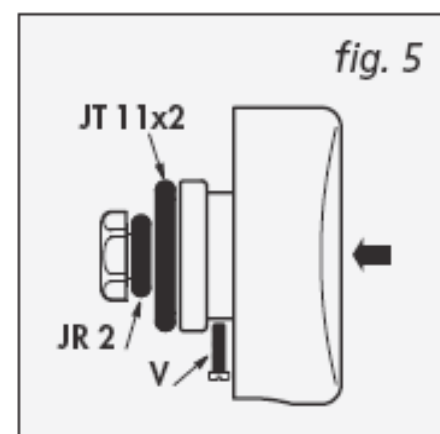
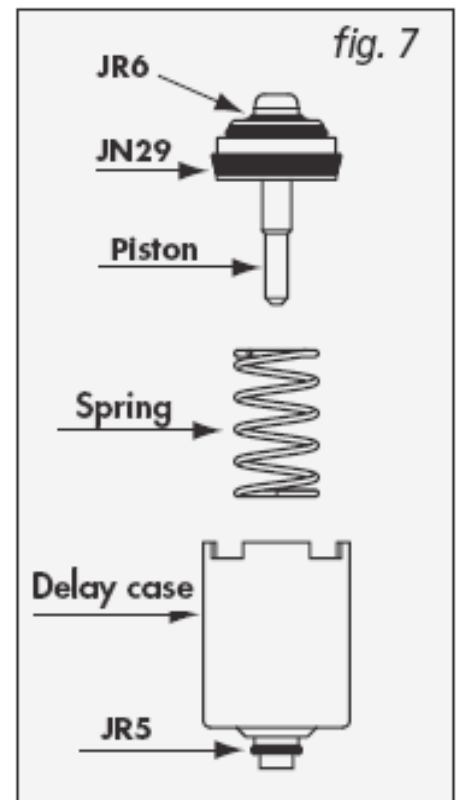
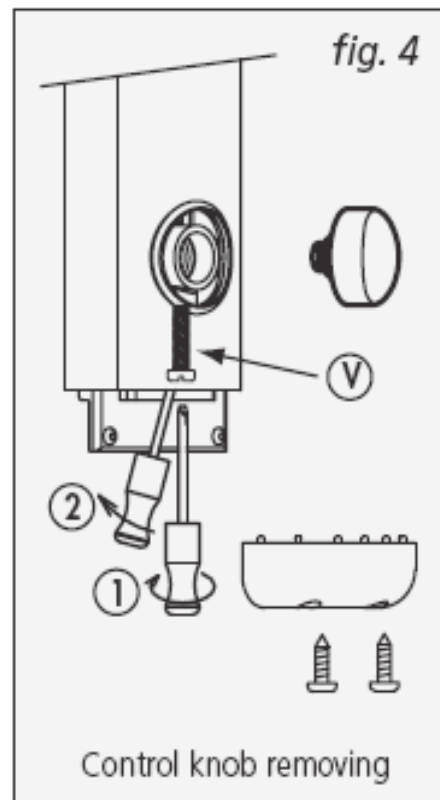
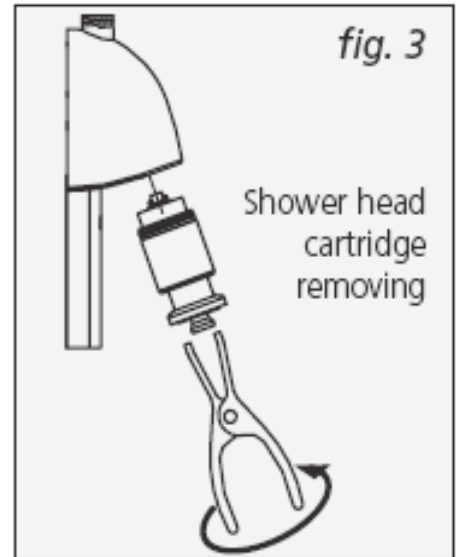
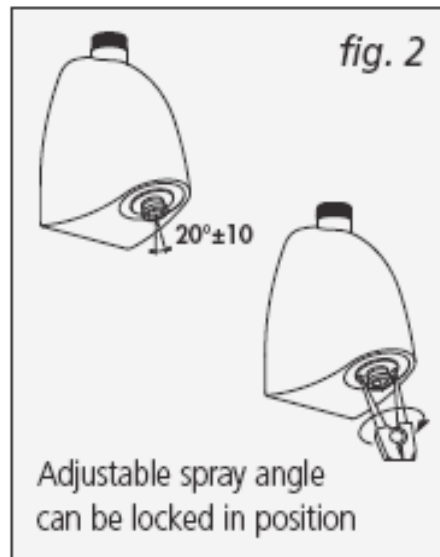
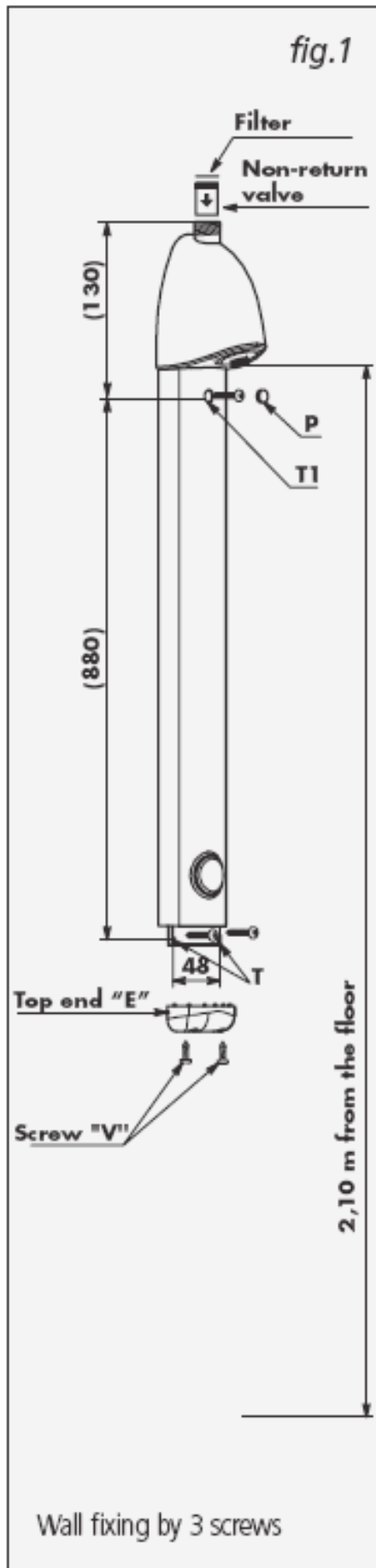
 0870 7657987

 [www.alchallis.com](http://www.alchallis.com)

@ [info@alchallis.com](mailto:info@alchallis.com)

**NBS**Plus





- Appropriate diameter of water supplying pipe avoids water hammering and pressure/flow-rate losses
- Protect the installation with filters, water hammer absorbers, ... decrease the frequency of maintenance
- Stop valves installed upstream connections are useful for servicing.

- Opening by pressing the push-button.
- Automatic shut-off delay 30 sec. +5/-10 according to EN-NF 816 specifications.

## INSTALLATION

In order to capture all the spray cone, the shower tray should be installed 10 cm far from the wall : concealed shower trays or sloping gutters are recommended.

In case of small raised shower trays, shower nozzle can be replaced by a grid (Réf. GR)

- Thoroughly flush water supplies before connecting the panel.
- Remove the end cap E and the screw cover P after the 2 screws V had been unscrewed with a Phillips screwdriver (fig.1).
- The panel must be placed in a distance of 2,10 m between shower head and floor.  
Mark/Make 2 holes T + hole T1 on wall (fig. 1)  
Fix the panel on the wall with the supplied screws in holes T and T1 (add suitable screw pins).
- Replace end cap E and the screw cover P.
- Place the filter (compulsory to protect non-return valve) and connect with mixed water supply at about 37°C / 99°F.

## ADJUSTMENTS

- Press control knob several times (to evacuate air) up to right shut-off delay (~30 sec) : first operations could last 5 to 7 mn.  
A drop of water discharged downwards when opening corresponds to the hydraulic starter.
- Adjust the spray angle to capture the jet inside the shower tray. The spray cone can also be locked with a circlip pliers (fig.2)

## CLEANING AND SERVICING

- Chrome cleaning : the plated chrome must only be cleaned with soapy water and soft cloth. Never use abrasive or chlorine, or other chemical products.
- Risk of freezing : Flush out the supply, and push on several times to flush out the valve.  
Remove the complete cartridge containing the mechanism and store it.

## MAINTENANCE

- THE SHOWER DOES NOT CLOSE or OPERATING TIME IS WRONG :
  1. Impurities or O-ring cut inside PUSH-BUTTON (leak under the starter)
    - Cut water supply and remove push-button : Triple-unscrew the push-button screw, and eject the push button with screwdriver (fig. 4)
    - Control and clean O-ring JR2 and JT11 (fig. 5)
    - Replace the push-button and open water supply : Push strongly the push-button while screwing the fixing screw "V" (fig. 4 and 5). Do not fully lock the screw.
  2. Impurities or O-ring cut inside SHOWER HEAD MECHANISM
    - Cut water supply and remove the cartridge including O-ring JR5, piston and spring (fig. 3 + 7)
    - Clean the interior of delay case with dry cloth, and the vertical calibrated groove with a point (not in metal) (fig. 8) and control/clean O-ring JR6 and JN29 (fig. 7)
    - Mount/srew back cartridge with O-ring JR5 (fig. 7) and open water supply.
- THE SHOWER IS SELF STARTING or FLOW IS VERY LOW :  
Impurities on filter and/or non-return valve : Cut the water supply and clean them (fig. 1)