

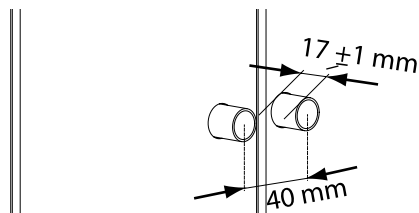
MORA TRONIC Compact

connection from behind, with thermostat

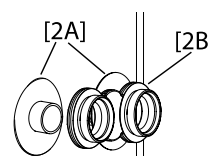
MOUNTING and INSTALLATIONS

MOUNTING

1. Cut the pipes with a length of 17 ± 1 mm from the wall.

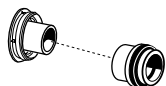


2. Mount the tightening membrane [2A] and the right wall bracket [2B] according to type of connection pipes.

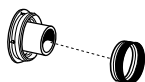


3. Press the wall bracket against the wall and mount the right packing set for the actual type of pipes. Make sure that the bracket is placed horizontally.

Different type of pipes (and different pipe dimensions) [3A],[3B],[3C],[3D]:



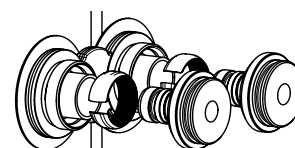
[3A] Cu Ø: 12mm



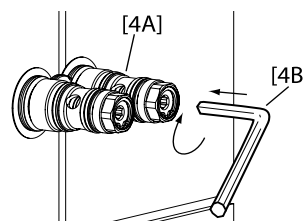
[3B] Cu Ø: 15mm

[3C] PexØ: 15mm

[3D] PexØ: 16mm

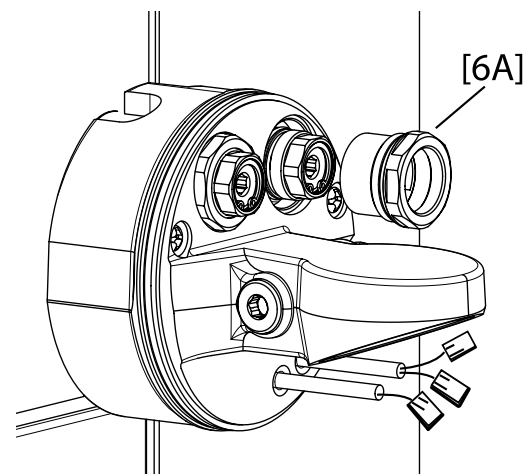
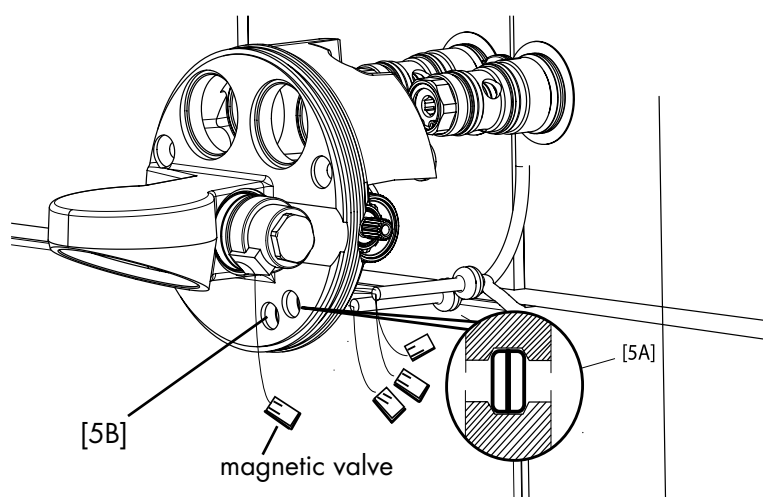


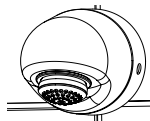
4. Mount the stop valves, and tighten them 1, 5-2 turns. Shut the stop valves [4B] and control the tightness. Make sure that the o-rings of the stop valves are lubricated.



5. The cable for the touch button should be placed in the outer hole, in order to simplify possible exchange [5A]. Place the cable for the main circuit (if mains operated) in the inner hole [5B]. Make sure that the rubber tightening is mounted correctly in the inner notch [5A]. Press the valve body on to the wall bracket. Fasten the valve with the screws.

6. Mount the strain holders (light tightening) [6A]. Key with MA-Nr 891030 can be used.

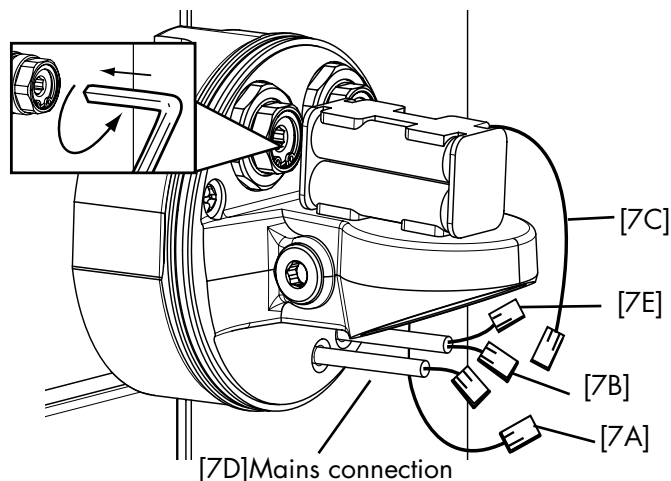




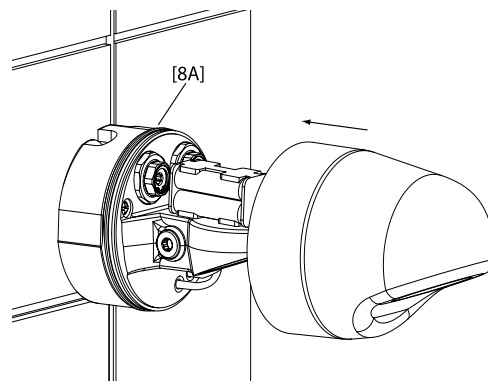
MORA TRONIC Compact

connection from behind, with thermostat

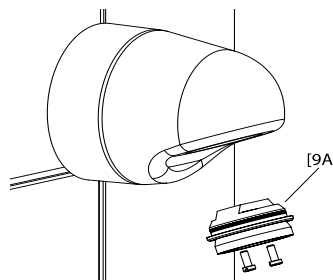
7. Connect the magnetic valve [7A] with the touch-button [7B]. Connect the battery holder [7C] or the cable for the main circuit [7D] with the touch button [7E]. If no change of the pre-set shower time shall be made, do not touch the button within 1.5 minutes. For changing the shower time, see instruction for changing the shower time. Open the stop valves completely [4B].



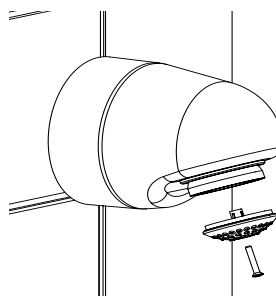
8. Mount the cap; press it accurate against the wall. Control that the o-ring (8A) is clean and lubricated. Make sure that the cap is turned straight proportionately to the valve.



9. Assemble the mounting ring [9A] with the two screws; make sure that the inner o-ring and the o-ring at the valve are in position.



10. Assemble the shower strain with the screw. For adjustment of the shower angle, please see instruction for changing the angle.



INSTALLATIONS

ELECTRICAL INSTALLATION (SEE FIGURE):

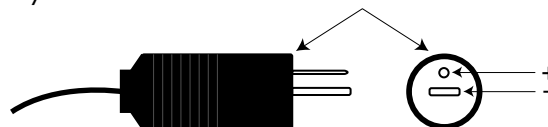
Battery operation: Four R6 batteries, alkaline.

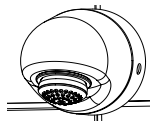
Mains operation: 6 V. DC stabilised.

Place the battery (not included) in a dry area.

Suitable battery eliminator MA no. 72 92 30.AE

NOTE. if the cable is joined do not switch the polarity.





MORA TRONIC Compact

connection from behind, with thermostat

WATER INSTALLATION:

Max working pressure: 1.0 MPa.

Min working pressure: 100 kPa.

Max temperature: 85 °C

TOUCH BUTTON:

Programmable touch button for shower times between 10-60 seconds. With reset function, i.e. pressing the button while showering automatically extends the shower time by one period. See changing the shower time below.

SERVICE and TROUBLE SHOOTING

SERVICE

REPLACING THE BATTERY:

Remove the shower strain, securing ring and cap as illustrated in figures 10, 9 and 8. Now replace the batteries, four R6 alkaline. Restart according to changing the shower time below (battery operation).

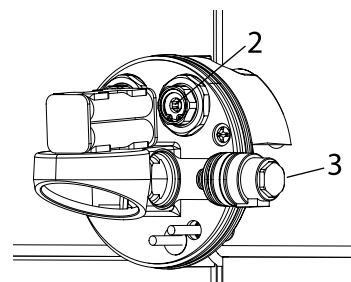
CHANGING THE SHOWER TIME: Battery operation

Remove the cap. Disconnect and connect the battery connections. Press the button the number the times necessary to obtain the required shower time within one minute of remaking the connection (see below). Do not touch the button for at least one and a half minutes. Reassemble the components.

CHANGING THE SHOWER TIME: Mains operation

Disconnect the power to the shower head and connected it again. Press the button the number the times necessary to obtain the required shower time within one minute of reconnecting the power (see below). Do not touch the button for at least one and a half minutes.

PRESS BUTTON	SHOWER TIME
0	30 s
1	10
2	20
3	30
4	40
5	50
6	60

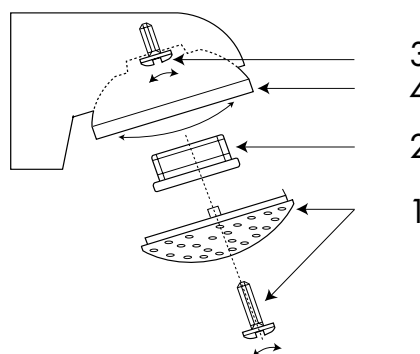


REPLACING THE MAGNETIC VALVE (SEE FIGURE)

1. Dismantle the cap
2. Close the stop valves
3. Replace the magnetic valve (tighten only slightly)
4. Open the stop valves
5. Refit the cap and shower strain according to MOUNTING, figures 8 – 10

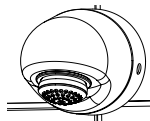
CLEANING THE INLET FILTER

1. Remove the cap
2. Close the stop valves
3. Dismantle the strain holder, see MOUNTING [6A] (make sure the connections and couplings do not turn when dismantling)
4. Clean the strain cylinder (grease the O-rings)
5. Reassemble



SETTING THE ANGLE OF THE SHOWER (SEE FIGURE)

1. Dismantle the strain ring.
2. Unscrew the retaining nipple.
3. Loosen the screw about 1 turn.
4. Set the strain holder at the required angle.
5. Tighten the screw.
6. Reassemble the components.

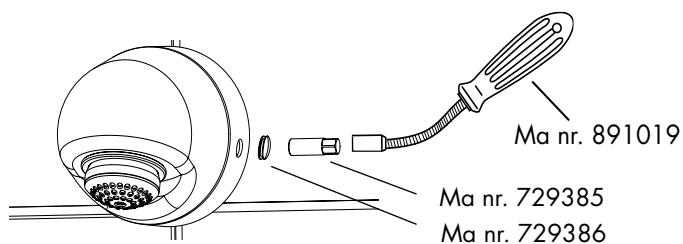


MORA TRONIC Compact

connection from behind, with thermostat

Mora Armatur AB
Box 440
SE-792 27 MORA
SWEDEN
www.moraarmatur.se

CHANGING THE SHOWER TEMPERATURE
(SEE FIGURE)
Remove the cover plug in the cap and use the
supplied bit to regulate.



COMPONENT PARTS AND SPARE PARTS

